



# GREEN SERIES

## THREE-PHASE INDUSTRIAL BATTERY CHARGER GREEN6

The **GREEN6** power module based charger is a high-frequency, fully automatic charger for use with lead-acid or lithium batteries. The **GREEN6** is multi-voltage and multi-current configurable, offering high-energy efficiency that reduces operating costs while the power module system eliminates downtime to increase productivity.

### FEATURES & BENEFITS:

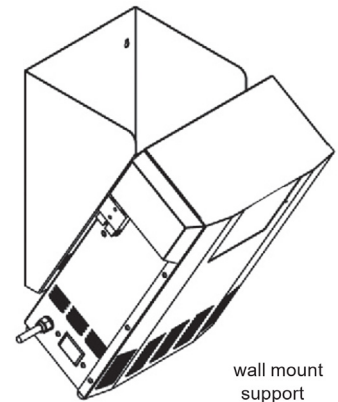
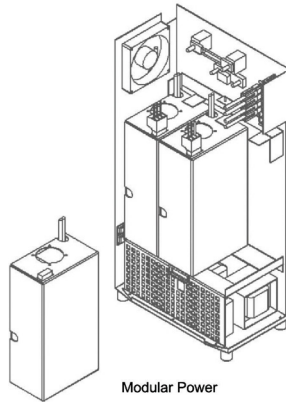
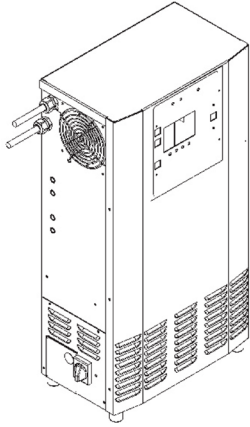
- Suitable for flooded, AGM, gel traction, or lithium batteries
- Charge cycle begins as low as 2-volts
- Soft start charging cycle
- Available in 24-96 volts
- DC output from 17- to 150-amps
- Multi-voltage/multi-current configurable via front panel display or USB A/B Port with PC/HF view software
- Fast charge capable
- Reverse polarity protection
- Wall-mountable
- Optional integrated data logger with RTC (Real-Time Clock)





# GREEN SERIES

## THREE-PHASE INDUSTRIAL BATTERY CHARGER GREEN6



wall mount support

### Input Voltage: 220 or 480VAC

Model	DC Output Voltage	DC Output Current	Flooded 8-Hour AH Range (C6)	Max AC Input Current	Input Voltage
<b>GREEN6</b>					<b>DIMs: 13.7" x 8.7" x 26.2" Wt.: 78 lbs</b>
24-GREEN6220-24150	24V	150A	280AH-1500AH	35A	208-240VAC, Three-phase
24-GREEN6220-36150	36V	150A	280AH-1500AH	30A	208-240VAC, Three-phase
24-GREEN6220-48150	48V	150A	280AH-1500AH	30A	208-240VAC, Three-phase
24-GREEN6220-80100	80V	100A	170AH-1000AH	40A	208-240VAC, Three-phase
24-GREEN6-24150	24V	150A	280AH-1500AH	10A	480VAC, Three-phase
24-GREEN6-36150	36V	150A	280AH-1500AH	15A	480VAC, Three-phase
24-GREEN6-48150	48V	150A	280AH-1500AH	20A	480VAC, Three-phase
24-GREEN6-80100	80V	100A	170AH-1000AH	20A	480VAC, Three-phase

Available upon request:

- 72 & 80 volt chargers
- 200/400 VAC
- Specialized charging curves
- Standard CC/CV/Stop profile or CAN bus option for lithium batteries